

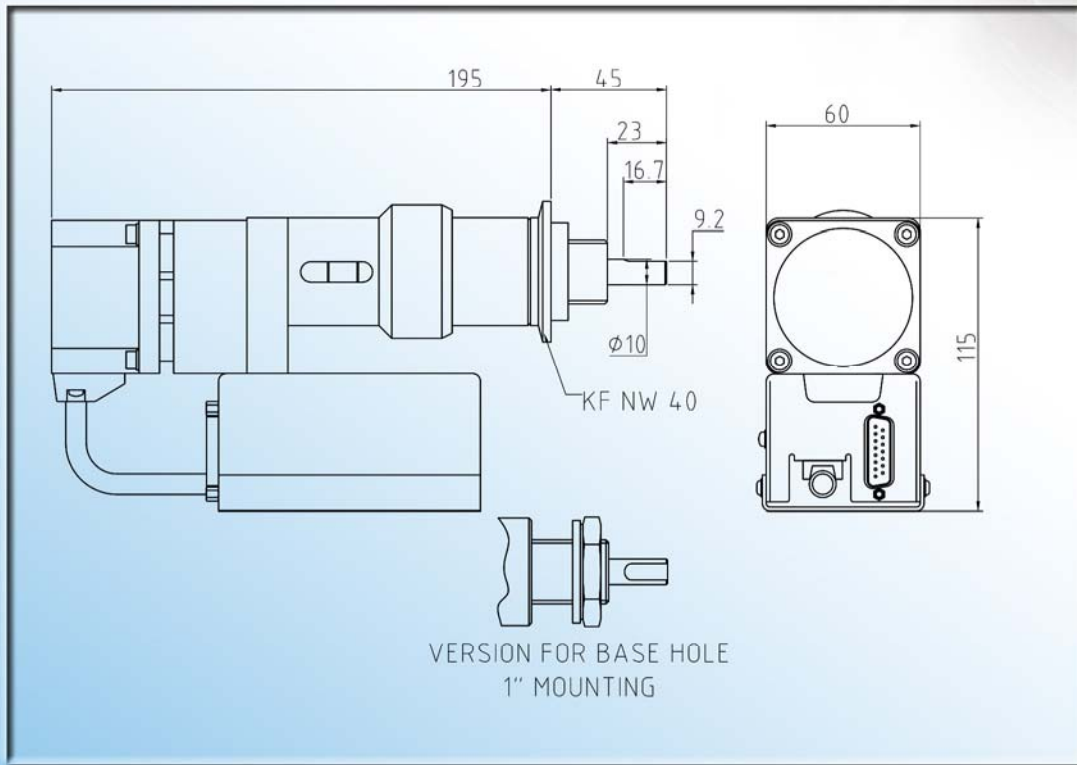
ROTARY MOTION DRIVE



- Ferrofuidics feedtrough
- Heavy duty shaft
- Variable speed range from 12.5 to 250 rpm max
- Ready for kwik-flange KF40 or 1" base plate mount
- Flat Torque over Wide Variable Speed Range (Speed Ratio 1:10)
- Overload, out-of-phase, overvoltage, insufficient voltage and over-speed protective functions
- Three speed setting method: External Potentiometer, External DC voltage, Internal Potentiometer
- Alarm Output/ Reset
- Speed Output
- All vacuum side components are Stainless steel

TECHNICAL DATA:

| | |
|--------------------------|-------------------------|
| Vacuum range | 1x10 ⁻⁸ Torr |
| Speed max | see table below |
| Adjustable ranges | 1:10 |
| Torque | see table below |
| Inlet Voltage | 24 VDC |
| Output power | 30W |
| Basic Part Number | 6520400 |



| | | | | | | | |
|-----------------------------|------------|------------|------------|------------|------------|------------|-------------|
| MAX SPEED RANGE, RPM | 250 | 167 | 125 | 83 | 50 | 25 | 12.5 |
| GEAR RATIO | 010 | 015 | 020 | 030 | 050 | 100 | 200 |
| TORQUE, N*m | 1.1 | 1.6 | 2.2 | 3.1 | 5.2 | 6 | 6 |

ORDERING INFORMATION:

ROTARY DRIVE 6520400 X-XXX-X

Type of vacuum connector:

A – NW40

B - 1" baseplate

Gear ratio

P - with POTENTIOMETER

Contact



Vacuum Systems Technologies & Services Ltd.
 19 Imber St. P.O.B 4137, Petach Tikva 49130
 Israel
 Tel: +972 (3) 9247712 Fax: +972 (3) 9247711
 marketing@vacuumltd.com
 www.vacuumltd.com